

Protocol converter - GW PL HART8+AI-BUS - 2702236


Please be informed that the data shown in this PDF Document is generated from our Online Catalog. Please find the complete data in the user's documentation. Our General Terms of Use for Downloads are valid (<http://phoenixcontact.com/download>)



Eight-channel HART[®] expansion module with analog loop supply and screw connection



Key Commercial Data

| | |
|--------------------------------------|---|
| Packing unit | 1 pc |
| GTIN |  4 055626 067070 |
| GTIN | 4055626067070 |
| Weight per Piece (excluding packing) | 340.000 g |
| Custom tariff number | 85176200 |
| Country of origin | Germany |

Technical data

Note

| | |
|-------------------------|---|
| Utilization restriction | Use in potentially explosive areas is not permitted in China. |
|-------------------------|---|

Dimensions

| | |
|--------|----------|
| Width | 45 mm |
| Height | 99 mm |
| Depth | 114.5 mm |

Ambient conditions

| | |
|---|-------------------|
| Ambient temperature (operation) | -40 °C ... 70 °C |
| | -40 °F ... 158 °F |
| Ambient temperature (storage/transport) | -40 °C ... 85 °C |
| Degree of protection | IP20 |

Protocol converter - GW PL HART8+AI-BUS - 2702236

Technical data

General

| | |
|--|--|
| Test voltage data interface/power supply | 500 V AC |
| Electromagnetic compatibility | Conformance with EMC Directive 2004/108/EC |
| Mounting position | any |
| Assembly instructions | on standard DIN rail NS 35 in accordance with EN 60715 |
| Mounting type | DIN rail mounting |
| Net weight | 342.4 g |
| Color | gray |
| MTBF | 208 Years (Siemens model SN29500, temperature 40°C, env. factor 1.5 and stress factor 50%) |
| Conformance | CE-compliant |

Power supply

| | |
|-----------------------------|---|
| Supply voltage range | 19.2 V DC ... 30 V DC (supplied from the bus) |
| Max. current consumption | 258 mA (at 24 V DC) |
| Typical current consumption | 74 mA (24 V DC with no load) |

Interfaces

| | |
|------------------------|---------------------|
| Interface 1 | HART FSK |
| Interface | Analog |
| No. of ports | 8 |
| Connection method | Screw connection |
| Maximum output current | 25 mA (per channel) |

Standards and Regulations

| | |
|-------------------------------|--|
| Electromagnetic compatibility | Conformance with EMC Directive 2004/108/EC |
| Conformance | CE-compliant |
| Noxious gas test | ISA-S71.04-1985 G3 Harsh Group A |
| ATEX | # II 3 G Ex nA IIC T4 Gc DEMKO 17 ATEX 1749X |
| IECEX | IECEX ULD 17.0020X Ex nA IIC T4 Gc |
| UL, USA/Canada | Class I, Div. 2, Groups A, B, C, D |

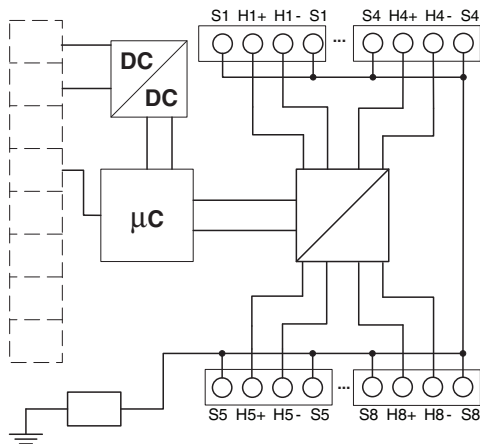
Environmental Product Compliance

| | |
|------------|---|
| China RoHS | Environmentally Friendly Use Period = 50 years |
| | For details about hazardous substances go to tab "Downloads", Category "Manufacturer's declaration" |

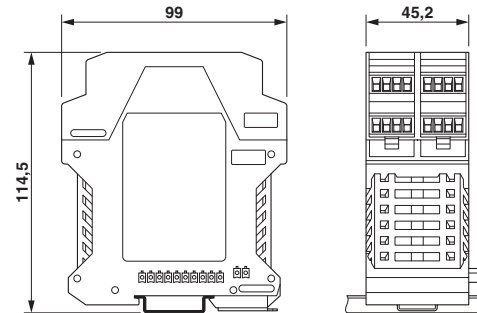
Drawings

Protocol converter - GW PL HART8+AI-BUS - 2702236

Block diagram



Dimensional drawing



Classifications

eCl@ss

| | |
|---------------|----------|
| eCl@ss 10.0.1 | 27242208 |
| eCl@ss 11.0 | 27242208 |
| eCl@ss 5.0 | 27242700 |
| eCl@ss 5.1 | 27242700 |
| eCl@ss 6.0 | 27242200 |
| eCl@ss 7.0 | 27242208 |
| eCl@ss 9.0 | 27242208 |

ETIM

| | |
|----------|----------|
| ETIM 6.0 | EC001423 |
| ETIM 7.0 | EC001423 |

Approvals

Approvals

Approvals

UL Listed / cUL Listed / cULus Listed

Ex Approvals

UL Listed / cUL Listed / IECEx / ATEX / cULus Listed

Protocol converter - GW PL HART8+AI-BUS - 2702236

Approvals

Approval details

| | | | |
|-----------|--|---|---------------|
| UL Listed | | http://database.ul.com/cgi-bin/XYV/template/LISEXT/1FRAME/index.htm | FILE E 238705 |
|-----------|--|---|---------------|

| | | | |
|------------|--|---|---------------|
| cUL Listed | | http://database.ul.com/cgi-bin/XYV/template/LISEXT/1FRAME/index.htm | FILE E 238705 |
|------------|--|---|---------------|

| | | | |
|--------------|--|--|--|
| cULus Listed | | | |
|--------------|--|--|--|

Accessories

Accessories

Gateways/Proxies

Ethernet HART multiplexer - GW PL ETH/UNI-BUS - 2702233



Ethernet head station for modular HART gateway. Connect up to five GW PL HART...-BUS expansion modules to communicate with up to 40 HART devices. Supports Modbus TCP, OPC UA, PROFINET, HART IP, FDT/DTM and Arcom.

Ethernet HART multiplexer - GW PL ETH/BASIC-BUS - 2702321



Ethernet head station for modular HART gateway. Connect up to five GW PL HART...-BUS expansion modules to communicate with up to 40 HART devices. Supports Modbus TCP, HART IP, FDT/DTM and Arcom.

I/O component

Protocol converter - GW PL HART8+AI-BUS - 2702236

Accessories

Protocol converter - GW PL HART4-BUS - 2702234



Four-channel HART[®] expansion module, with screw connection

Protocol converter - GW PL HART8-BUS - 2702235



Eight-channel HART[®] expansion module, with screw connection

Protocol converter - GW PL DIO4-BUS - 2702237



Four-channel digital input and four-channel digital output module with screw connection

Protocol converter - GW PL HART4-R-BUS - 2702879



Four-channel HART[®] expansion module, with screw connection, with 250 Ω internal input resistors

Protocol converter - GW PL HART8-R-BUS - 2702880



Eight-channel HART[®] expansion module, with screw connection, with 250 Ω internal input resistors

Necessary add-on products

Protocol converter - GW PL HART8+AI-BUS - 2702236

Accessories

Ethernet HART multiplexer - GW PL ETH/UNI-BUS - 2702233



Ethernet head station for modular HART gateway. Connect up to five GW PL HART...-BUS expansion modules to communicate with up to 40 HART devices. Supports Modbus TCP, OPC UA, PROFINET, HART IP, FDT/DTM and Arcom.

Ethernet HART multiplexer - GW PL ETH/BASIC-BUS - 2702321



Ethernet head station for modular HART gateway. Connect up to five GW PL HART...-BUS expansion modules to communicate with up to 40 HART devices. Supports Modbus TCP, HART IP, FDT/DTM and Arcom.